

## DESCRIPTION

The EH Series Room, Duct and Outside humidity sensors are a universal Relative Humidity transmitter that can be powered with either a +15 to 36 Vdc or 24 Vac supply voltage. The EH series sensors are designed with a field selectable 4-20 mA, 0-5 VDC, or 0-10 Vdc output signal that is equivalent to 0 to 100% RH. The EH Series is used in building automation systems, humidity chambers, and OEM applications and is compatible with Vista, Continuum, I/Net and I/A Systems.



EH Series

## FEATURES

- Single point Field Calibration
- Field selectable output signals
- $\pm 2\%$  Accuracies
- Low Drift
- Highly Repeatable
- Integral Temperature Sensor

## SPECIFICATIONS

Supply Voltage	250 Ohm Load: +15 to 36 Vdc / 21.6-26.4 Vac 0-5VDC: +15-36 Vdc / 21.6-26.4 Vac 500 Ohm Load: +18 to 36 Vdc / 21.6-26.4 Vac 0-10VDC: +18-36 Vdc / 21.6-26.4 Vac
Power Consumption	1VA maximum
RH Measurement Range	0 to 100%
RH Output	2-wire, 4 to 20mA (Factory Standard) 3-wire, 0-5, 0-10 Vdc or 4 to 20mA
Accuracy at 77° F (25° C)	+/- 2% from 20 to 95%
Long-term Stability	Less than 2% drift / 5 years
Hysteresis	Less than 0.4% RH
Repeatability	0.5% RH
Sensitivity	0.1 % RH
Response Time	110 seconds for 63% Step
Storage Temperature Range	41 to 95°F (5°C to 35°C) < 75% RH
Operating Temperature Range	-10 to 122°F (-23.3 to 50°C)
Operating Humidity Range	0 to 95 % RH non-condensing
Saturation Response Time	10 minutes for 63% Step
Temperature Sensor output at 77° F (25° C)	1.8K ohm (Vista), 10K ohm Type II (I/Net), 10K ohm Type III (Continuum), 10K ohm with 11K ohm shunt (I/A)

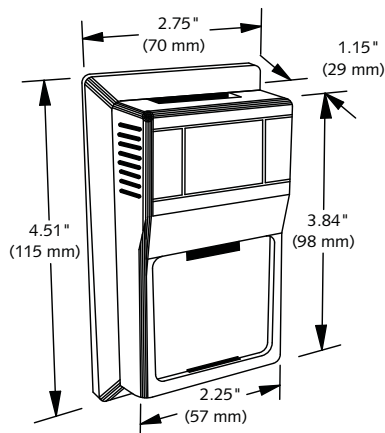
## ORDERING INFORMATION

Description	Vista	I/Net	Continuum	I/A
Room-Humidity Only	EHR110			
Room-Humidity and Temperature	EHR110-100	EHR110-200	EHR110-500	EHR110-800
Duct-Humidity Only	EHD110			
Duct-Humidity and Temperature	EHD110-100	EHD110-200	EHD110-500	EHD110-800
Outdoor-Humidity Only	EHO110			
Outdoor-Humidity and Temperature	EHO110-100	EHO110-200	EHO110-500	EHO110-800

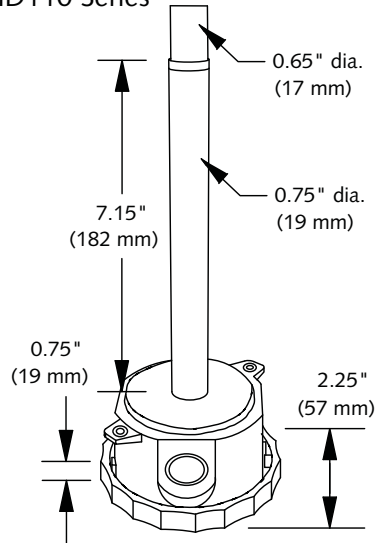
Miscellaneous Option	Code
LCD Display (Room Units Only. LCD displays humidity value. )	-LCD

## DIMENSIONS

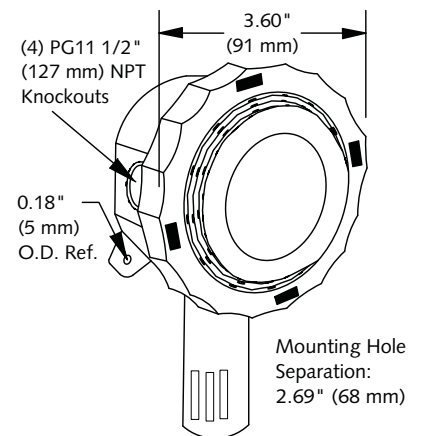
EHR110 Series



EHD110 Series



EHO110 Series



© Copyright 2009 TAC  
All brand names, trademarks and registered trademarks are the property of their respective owners. Information contained within this documentation is subject to change without notice. All rights reserved.

TAC  
1354 Clifford Ave  
P.O. Box 2940  
Loves Park, IL 61132-2940

[www.tac.com](http://www.tac.com)

**t.a.c.**  
by Schneider Electric